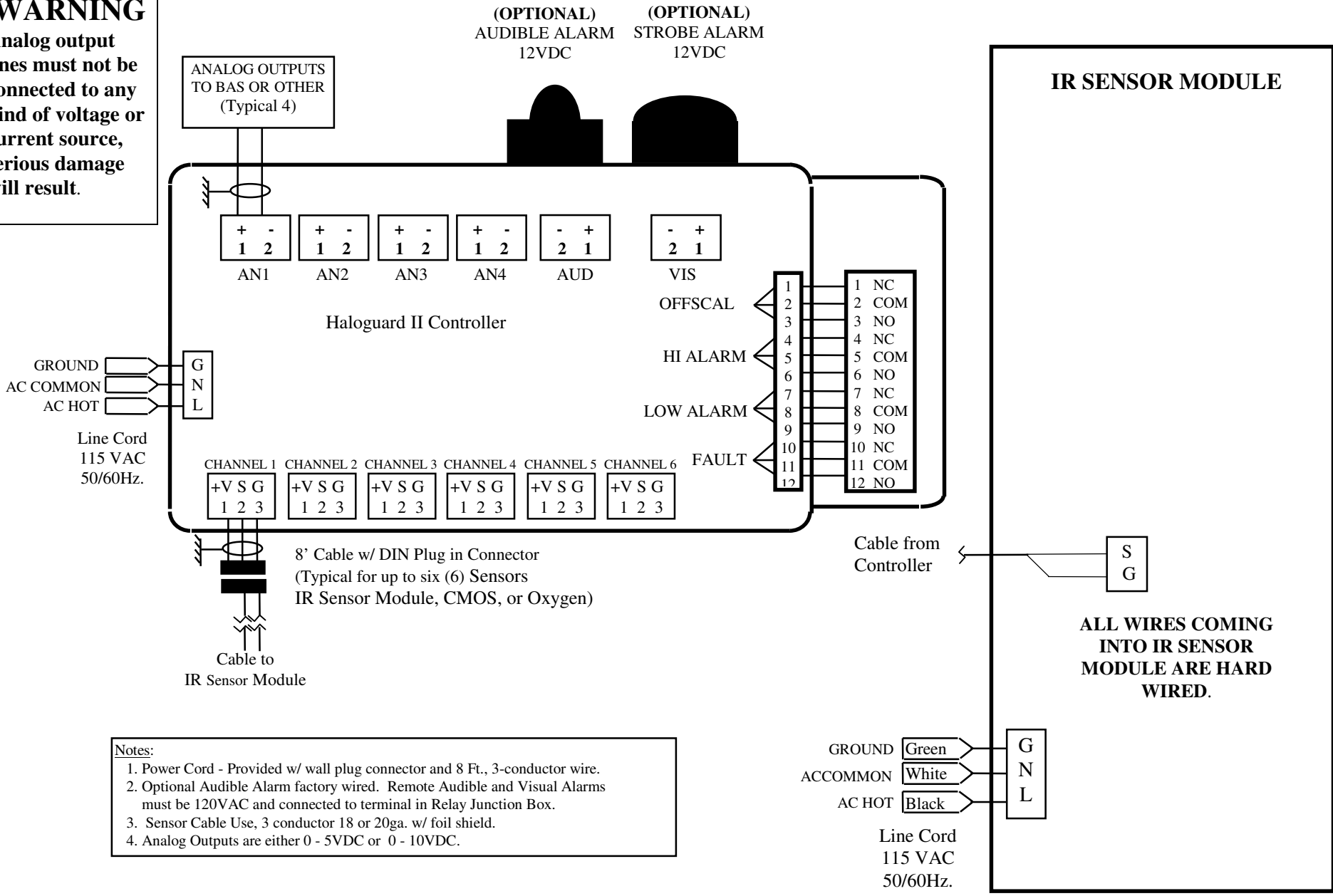


WARNING
 Analog output lines must not be connected to any kind of voltage or current source, serious damage will result.



- Notes:
1. Power Cord - Provided w/ wall plug connector and 8 Ft., 3-conductor wire.
 2. Optional Audible Alarm factory wired. Remote Audible and Visual Alarms must be 120VAC and connected to terminal in Relay Junction Box.
 3. Sensor Cable Use, 3 conductor 18 or 20ga. w/ foil shield.
 4. Analog Outputs are either 0 - 5VDC or 0 - 10VDC.

Wiring Diagram